

diaphragm pressure gauge
DS 4", 6" (100-150mm)
threaded connection

MN12/18



The sensing element is an elastic diaphragm, with concentric corrugations that drives the amplifying movement through a ball-joint. They are designed to measure pressure or vacuum of viscous, sedimentous, crystallisable or corrosive fluids. Compared to the bourdon tube system they are more robust and are better able to withstand overpressure or aggressive fluids.

2.42.1 - MN12/18

Design: EN 837-3.

Ranges: from 0...10 INWC to 0...360 psi (from 0...25 mbar to 0...25 bar or equivalent units).

Accuracy class: 1,6 as per EN 837-3.

Ambient temperature: -13...+149°F (-25...+65 °C).

Process temperature: max. +212°F; +100 °C.

Working pressure: max 75% of the full scale value.

Overpressure limit: 25% of the full scale value.

Thermal drift: ±0,6% every ±10°C of ambient temperature.

Protection: IP 55 as per IEC 529.

Process connection: AISI 316 st.st.

Elastic element: AISI 316 st.st. diaphragm.

Diaphragm gasket: PTFE.

Case: acciaio inox st.st.

Ring: acciaio inox st.st., bayonet lock.

Window: glass.

Movement: stainless steel.

Dial: aluminium, white with black markings.

Pointer: aluminium, micrometric adjustable.

Special version:

- **high overpressure** : 10 time the FSV but not over 30 psi (2 bar) for pressure ranges from 0...10 INWC to 0...6 psi (25...400 mbar); 5 time the FSV but not over 600 psi (40 bar), for pressure ranges 10...360 psi (0,6...25 bar).

2.45.1 - MN12/18/T

Process connection: AISI 316, PTFE coated.

Elastic element: AISI 316 st.st. diaphragm, PTFE coated.

Other features as MN12/18.

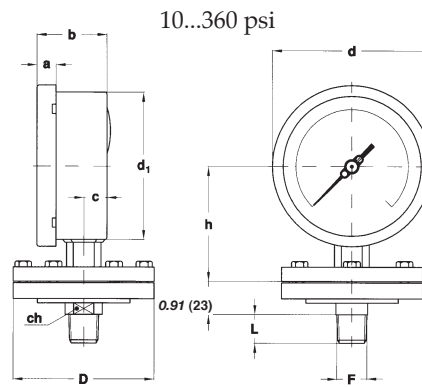
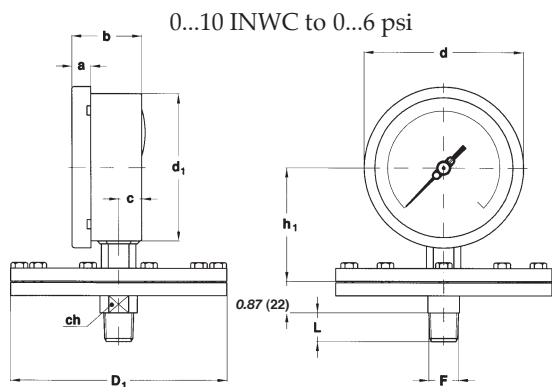
0...1 bar
0...1,6 bar
0...2,5 bar
0...4 bar
0...6 bar
0...10 bar
0...16 bar
0...25 mbar
0...40 mbar
0...60 mbar
0...100 mbar
0...160 mbar
0...250 mbar
0...400 mbar
0...600 mbar

-25...0 mbar
-40...0 mbar
-60...0 mbar
-100...0 mbar
-160...0 mbar
-250...0 mbar
-400...0 mbar
-600...0 mbar
-1...0 bar

-0,6...1 bar
-1...0,6 bar
-1...1,5 bar
-1...3 bar
-1...5 bar
-1...9 bar
-1...15 bar
-1...24 bar
-10...15 mbar
-15...10 mbar
-15...25 mbar
-25...15 mbar
-20...40 mbar
-40...20 mbar
-40...60 mbar
-60...40 mbar
-60...100 mbar
-100...60 mbar
-100...150 mbar
-150...100 mbar
-150...250 mbar
-250...150 mbar
-200...400 mbar
-400...200 mbar
-400...600 mbar
-600...400 mbar

diaphragm pressure gauge DS 4", 6" (100-150mm), threaded connection

MN12/18



A - LOWER CONNECTION

Range	DS	F	a	b	c	d	d ₁	h	h ₁	D	Ø	ch	L	Weight
0...10 INWC to 0...6 psi (25...400 mbar)	E 4"(100mm)	G 1/2 B 1/2-14 NPT	0.51 (13)	1.90 (48,5)	0.63 (16,1)	4.35 (110,6)	3.97 (101)		3.09 (78,5)		5.90 (150)	0.86 (22)	0.78 (20)	5.73 lbs 2,6 kg
0...10 INWC to 0...6 psi (25...400 mbar)	G 6"(150mm)	G 1/2 B 1/2-14 NPT	0.59 (15)	1.98 (50,5)	0.64 (16,5)	6.33 (161)	5.88 (149,6)		4.36 (110,8)		5.90 (150)	0.86 (22)	0.78 (20)	6.50 lbs 2,95 kg
10...360 psi (0,6...25 bar)	E 4"(100mm)	G 1/2 B 1/2-14 NPT	0.51 (13)	1.90 (48,5)	0.63 (16,1)	4.35 (110,6)	3.97 (101)	3.12 (79,5)		3.85 (98)		0.86 (22)	0.78 (20)	3.85 lbs 1,75 kg
10...360 psi (0,6...25 bar)	G 6"(150mm)	G 1/2 B 1/2-14 NPT	0.59 (15)	1.98 (50,5)	0.64 (16,5)	6.33 (161)	5.88 (149,6)	4.40 (111,8)		3.85 (98)		0.86 (22)	0.78 (20)	4.62 lbs 2,1 kg

dimensions : inches (mm)

OPTIONS

Model	MN12/18/F	MN12/18/TF
Electric contacts for pressure ranges ≥ 25 INWC (60 mbar) (1)	(1) ◆	◆
Case and ring AISI316 st.st.	◆	◆
Protection degree IP 65 as per IEC 529	(4) ◆	◆
Maximum pointer Wiebrock	(4) ◆	◆
Monel 400 protection diaphragm	◆	◆
Hastelloy C protection diaphragm	◆	◆
Tantalum protection diaphragm	◆	◆
PTFE diaphragm protection	◆	◆
Degreasing for oxygen use	◆	◆
Glycerine filling +59...+149°F (+15...+65 °C)	(2) (3) (4) ◆	◆
Silicon oil filling -40...+149°F (-40...+65 °C)	(2) (3) (4) ◆	◆
Tropicalization	◆	◆
Safety glass window	(4) ◆	◆

(1) Codes, description and wiring on data sheet MN14.

(3) Accuracy class 2,5 as per EN 837-3.

(2) For pressure ranges ≥ 10 psi (600 mbar) only.

"HOW TO ORDER" SEQUENCE

Section / Model / Case / Mounting / Diameter / Range / Process connection / Options

2 / 42 / 1 / A / E / G / 45