

differential pressure gauges PN 400 with double diaphragm DS 4", 6" (100-150mm)

MD17



CE PED 97/23/CE
ATEX 94/9/CE

These instruments are used to check filter obstructions, pressure drops, flow rate differences, level, measurements and generally the difference between two pressures of equal or different circuits. The measuring element is formed by two diaphragms, acting on the same movement. In this way the pointer senses only the difference between the two pressures corresponding respectively to upstream and downstream circuit pressure.

2.17.1 - Standard Model

Accuracy class: 1,6 as per EN 837.

Scale amplitude: 270°.

Static Pressure: 6000 psi max (400 bar).

Ambient temperature: -13...+149°F (-25...+65 °C).

Process fluid temperature: +302°F (+150 °C).

Thermal drift: ± 0,8 % every ±50°F (± 10° C) of ambient temperature

Protection degree: IP 55 as per IEC 529.

Socket material: AISI 316L st.st/Duratherm.

Elastic element: double diaphragm AISI 316L st.st.

Gasket: VITON and PTFE.

Case: stainless steel.

Ring: stainless steel, bayonet lock.

Window: tempered glass.

Movement: stainless steel.

Dial: aluminium, white with black markings

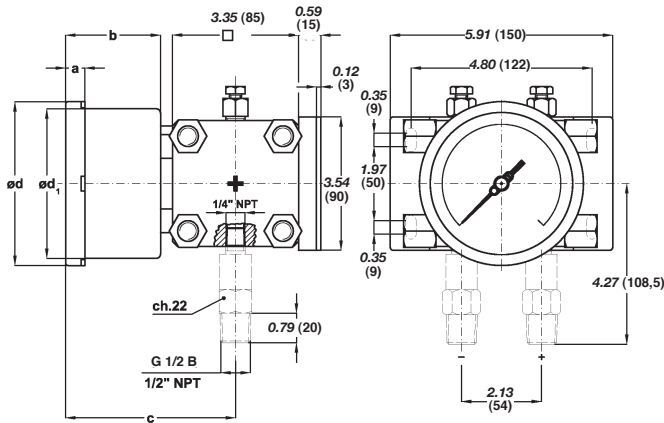
RANGE : psi (bar)	Static pressure, one side : psi (bar)	Static pressure, both side : psi (bar)
0...15 psi (0...1 bar)	3500 (250)	6000 (400)
0...1,6 bar	3500 (250)	6000 (400)
0...15 psi (0...1 bar)	3500 (250)	6000 (400)
0...1,6 bar	3500 (250)	6000 (400)
0...30 psi (0...2,5 bar)	3500 (250)	6000 (400)
0...60 psi (0...4 bar)	3500 (250)	6000 (400)
0...100 psi (0...6 bar)	3500 (250)	6000 (400)
0...160 psi (0...10 bar)	3500 (250)	6000 (400)



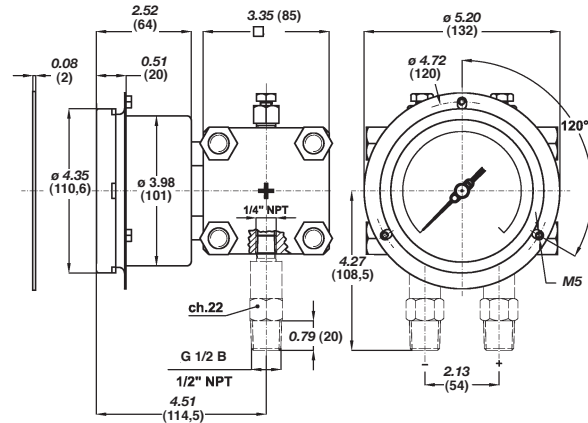
For use in potentially explosive atmospheres, instruments must be designed in conformity to ATEX 94/9/CE.
This version is shown on separate data sheet available on request.

differential pressure gauges PN 400 double diaphragm, DS 4", 6" (100-150mm)

MD17



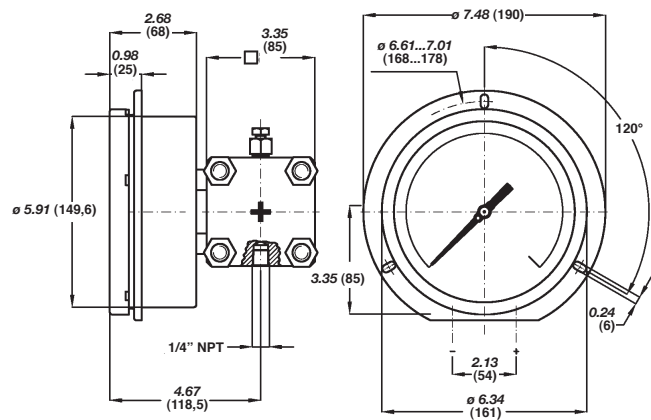
Lower (Mounting code **A**), with back flange
(Option code **C**): DS 4", 6" (100-150mm)



Lower (Mounting code **A**), with front flange (Option code **F**): DS 4" (100mm)

DS	a	b	c	d	d ₁	Weight : lbs (kg)
E 4" (100)	0.51" (13)	2.52" (64)	4.51" (114,5)	4.35" (110,6)	3.97" (101)	11.9" (5,4)
G 6" (150)	0.59" (15)	2.68" (68)	4.67" (118,5)	6.33" (161)	5.88" (149,6)	12.78" (5,8)

dimensions : inches (mm)



Lower (Mounting code **A**), with front flange (Option code **E**): DS 6" (150mm)

OPTIONS

C - Back flange for DN100-150 instruments	L22 - Maximum pointer IP 65 on plexiglas window (3) (6)
F - Front flange for DN100 instruments	M23 -Protection diaphragm MONEL 400 (4)
E - Front flange for DN150 instruments	R10 - Case glycerine filling. Ambient temp. +59...+149°F (+15...+65 °C). (6)
Electric contacts (amplitude 180°) (1)	R11 - Case filling with silicon oil. Ambient temp. -40...+149°F (-40...+65 °C). (6)
C40 - Case and ring AISI 316 st.st.	S31 - 2" pipe mounting bracket
E30 - NACE version MR0103/MR0175 (ISO 15156) (2)	T01 - Tropicalization
E65 - Protection degree IP 65 (6)	T32 - Safety glass window (6)
2G9 -Execution: ATEX : II 2G c (5) (6)	2D9 -Execution: ATEX : II 2GD c

- (1) Codes, descriptions and wiring on data-sheet MN14
 (2) To be ordered with Monel 400 or Hastelloy C diaphragms
 (3) To be ordered with plexiglas window
 (4) Accuracy 2,5 secondo EN 837

- (5) For constructive details see ATEX execution data-sheet
 (6) Not available with electric contacts

"HOW TO ORDER" SEQUENCE

Section / Model / Case / Mounting / Diameter / Special version / Range / Process connection / Options
2 17 1 A E G --- 41M - G 1/2 A M C...E
43M - 1/2" NPT M C40...2D9
43F - 1/2" NPT F