

All Stainless Steel Pressure Gauge

118EVODIN (Din Case)



100mm All Stainless Steel Pressure Gauge

Applications

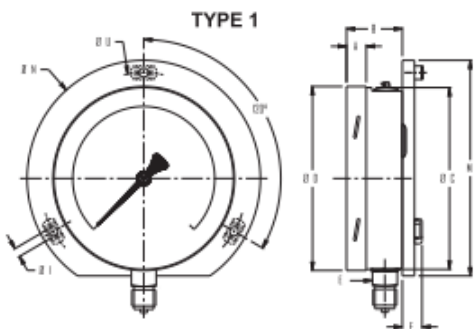
- Food and Beverage
- Pharmaceutical
- Cryogenics
- Pumps
- Hydro Cleaning Machines
- Presses
- Engine Compressors
- Turbines and Diesel Engines
- Chemical and Petrochemical
- Refrigeration Plants
- Suitable for Corrosive Applications

Special features:

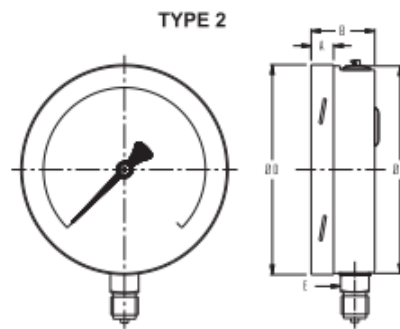
- Stainless steel case & measuring system
- Socket & case welded
- Protection IP 65
- Dry or liquid filled
- Accuracy up to 0.5%
- Design to EN837-1
- Bottom thread entry

Specifications:

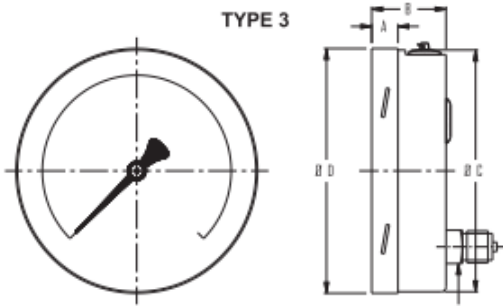
Accuracy	1% of F.S.
Ambient Temperature	-25°C to 65°C
Process Temperature	Maximum 300 °C
Operating Pressure	75% of scale value
Over Pressure Limit	≤ 100 BAR: 125% of max. scale value $> 100 \leq 600$ BAR: 115% of max. scale value $> 600 \leq 1600$ BAR: 110% of max. scale value
Case & Bezel Material	AISI 304 SS (snap lock type)
Bourdon Tube	AISI 316L SS
Socket	AISI 316L SS (welded directly to case)
Movement	AISI 304 SS
Joints	Tig Argon Arc Welding
Protection	IP 65
Dial	Aluminium (black graduation on white background)
Pointer	MicroAdjustable
Window	Safety Glass
Blow Off Disk	Neoprene
Gasket & Filling Plug	Neoprene
Ranges	Vacuum & compound. Pressure up to 22,000 PSI



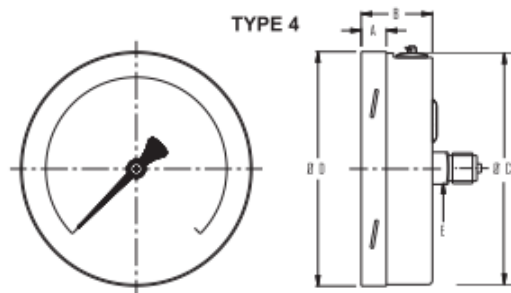
NS	A	B	ØC	ØD	E	F	ØI	ØN	ØU	M	Weight in gram (With Box)	Weight in gram (With Glycerin & Box)
63	12	32	61.7	64	14	10	3.6	86	75	80	260.0	370.0
100	17.5	49	99	101	22	15	4.8	132	116	126	645.0	885.0
150	17.5	51.5	159	162	22	15	5.8	196	178	188	1280.0	1920.0



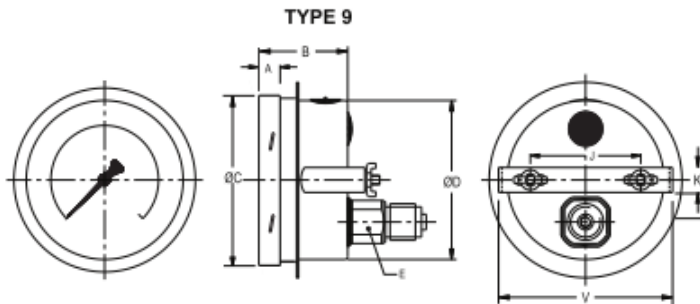
NS	A	B	ØC	ØD	Weight in gram (With Box)	Weight in gram (With Glycerin & Box)
63	12	32	61.7	64	200.0	310.0
100	17.5	49	99	101	560.0	800.0
150	17.5	51.5	159	162	1100.0	1740.0



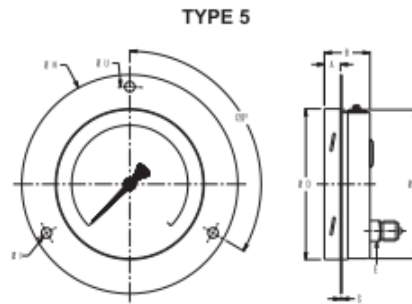
NS	A	B	ØC	ØD	E	Weight in gram (With Box)	Weight in gram (With Glycerin & Box)
63	12	32	61.7	64	14	200.0	310.0
100	17.5	49	99	101	22	550.0	790.0
150	17.5	51.5	159	162	22	1060.0	1700.0



NS	A	B	ØC	ØD	E	Weight in gram (With Box)	Weight in gram (With Glycerin & Box)
63	12	32	61.7	64	14	200.0	310.0
100	17.5	49	99	101	22	550.0	790.0
150	17.5	51.5	159	162	22	1060.0	1700.0



NS	A	B	ØC	ØD	E	J	K	V	Weight in gram (With Box)	Weight in gram (With Glycerin & Box)
63	12	32	61.7	64	14	46.5	15	74	280.0	390.0
100	17.5	49	99	101	22	72	16	108	750.0	990.0
150	17.5	51.5	159	162	22	106.5	16	166	1220.0	1860.0



NS	A	B	ØC	ØD	E	ØI	ØN	ØU	S	Weight in gram (With Box)	Weight in gram (With Glycerin & Box)
63	12	32	61.7	64	14	3.6	86	75	1	250.0	360.0
100	17.5	49	99	101	22	4.8	132	116	1	630.0	870.0
150	17.5	51.5	159	162	22	5.8	196	178	1	1180.0	1820.0

Note: Drawings are not to scale. All Dimensions are in mm.

EVO Instrumentation Ltd, 31a Coppice Trading Estate,
 Off Stourport Road, Kidderminster, Worcs, DY11 7QY,
 Tel: 01562 741212 Fax: 01562 741666
 Email: sales@evoinstrumentation.co.uk
 Web: www.evoinstrumentation.co.uk
 Reg no: 1916635 England



Type of mounting:

1. Wall /surface/bottom entry
2. Direct bottom entry
3. Direct lower back entry
4. Panel Mounting back entry with front flange
5. Panel Mounting back entry with mounting bracket
6. Lower back entry with mounting bracket

* moc of bracket will be steel (painted). Ask factory for drawings, if required.

Gauge connection: (all male)

1/4" bsp	3/8" npt	1/2" bspt
3/8" bsp	1/2" npt	M12 x 1
1/2" bsp	1/4" bspt	M16 x 1.5
1/4" npt	3/8" bspt	M20 x 1.5

Options:

Various options are available:

- Accuracy to 0.5% (for dry version)
- Monel bourdon & socket (monel version)
- Integral dampening screw (monel or AISI 316 SS)
- Silicone oil filled
- Glycerine filled
- Enclosure protection IP 66 or IP 67
- Plexiglass
- Safety glass
- Toughened glass
- Movement with dampening jelly
- Over range protection 150% of F.S.
- Pointer slotted zero adjustable
- SS tag plate
- Dial tag marking
- Helium leak test
- Conformity as per NACE standard
- Five point factory calibration certificate
- Oxygen service (dry version)
- Custom designed dial
- Internal overpressure stop
- Internal vacuum stop
- Receiver range
- Freon range
- Ammonia range
- Epoxy painted case and bezel
- Electro polished case and bezel
- Sheet glass
- Material test certificates
- Calibration certificate traceable to national standards
- Available in 150mm dial size
- Rear thread entry

Full details available on request.

EVO Instrumentation reserves all rights to make modifications to the product.

EVO Instrumentation Ltd, 31a Coppice Trading Estate,
Off Stourport Road, Kidderminster, Worcs, DY11 7QY,
Tel: 01562 741212 Fax: 01562 741666
Email: sales@evoinstrumentation.co.uk
Web: www.evoinstrumentation.co.uk
Reg no: I916635 England

