

All Stainless Steel Pressure Gauge

1618ALEVO



150mm All Stainless Steel Pressure Gauge

Applications

- Food and Beverage
- Pharmaceutical
- Cryogenics
- Pumps
- Hydro Cleaning Machines
- Presses
- Engine Compressors
- Turbines and Diesel Engines
- Chemical and Petrochemical
- Refrigeration Plants
- Suitable for Corrosive Applications

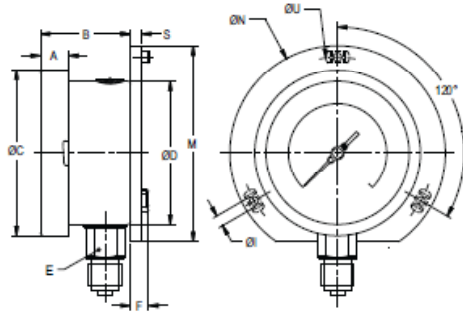
Special features:

- Stainless steel case & measuring system
- External zero adjustment (optional)
- Dry fillable or liquid filled
- Accuracy up to 0.5%
- Design to EN837-1
- Bottom thread entry
- Interchangeable Connectors available in stainless steel and brass
- Available with socket welded to case

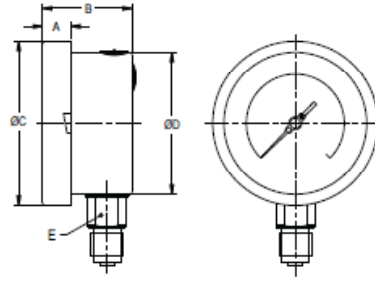
Specifications (Standard Version):

Accuracy	1% of F.S.
Ambient Temperature	-25°C to 65°C
Process Temperature	Maximum 300 °C
Operating Pressure	75% of scale value
Over Pressure Limit	≤ 100 BAR: 125% of max. scale value > 100 ≤ 600 BAR: 115% of max. scale value > 600 ≤ 1600 BAR: 110% of max. scale value
Case & Bezel Material	AISI 304 SS (bayonet type)
Bourdon Tube	AISI 316L SS
Socket	AISI 316L SS (welded directly to case)
Movement	AISI 304 SS
Joints	Tig Argon Arc Welding
Protection	IP 65
Dial	Aluminium (black graduation on white background)
Pointer	MicroAdjustable
Window	Plexiglass
Blow Off Disk	Neoprene
Gasket & Filling Plug	Neoprene
Ranges	Vacuum & compound. Pressure up to 22,000 PSI

TYPE 1



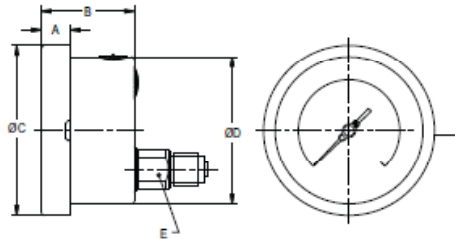
TYPE 2



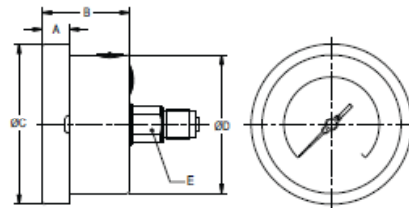
NS	A	B	ØC	ØD	E	M	S	F	ØV	ØU	Weight in gram (With Box)	Weight in gram (With Glycerin & Box)
100	12.5	45	111	100	22	128	6	14.5	6	134	720.0	1025.0
125	15	46	129	119	22	143	4	14.5	6	150	845.0	1165.0
150	15	46.5	161	149	22	174.5	6	14.5	6	186	1160.0	1895.0
200	18	49	216.5	201.5	22	229	1.5	14.5	7	245	2020.0	2780.0
250	18	52	263	250	22	286.5	1.5	14.5	7	290	2400.0	3220.0

NS	A	B	ØC	ØD	E	Weight in gram (With Box)	Weight in gram (With Glycerin & Box)
100	12.5	47	111	100	22	640.0	935.0
125	15	48	129	119	22	750.0	1070.0
150	15	49	161	149	22	1020.0	1755.0
200	18	49	210.5	201.5	22	1720.0	2480.0
250	18	52	263	250	22	2000.0	2820.0

TYPE 3

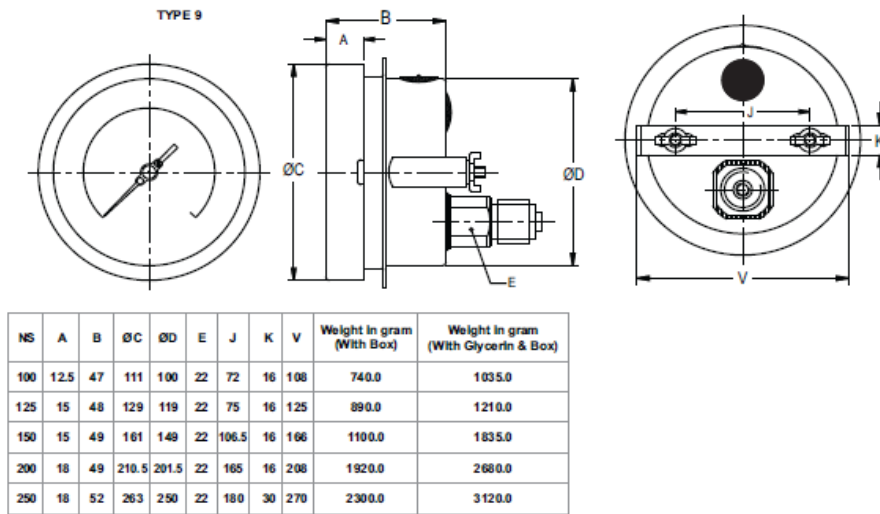
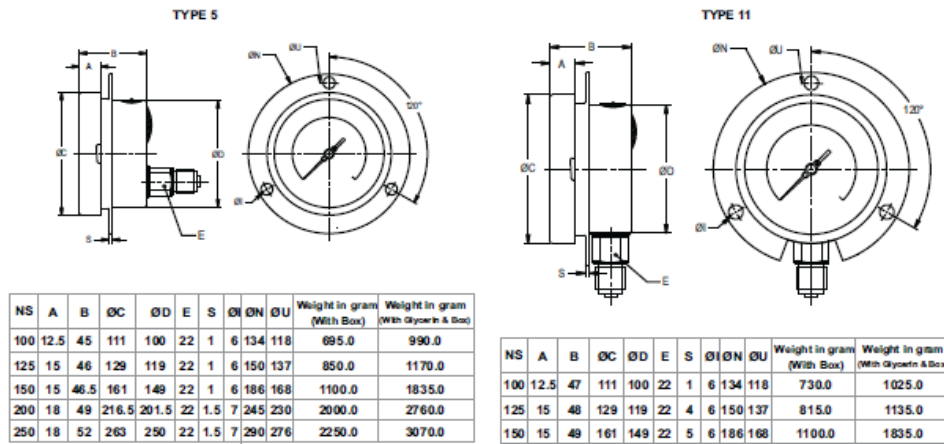


TYPE 4



NS	A	B	ØC	ØD	E	Weight in gram (With Box)	Weight in gram (With Glycerin & Box)
100	12.5	47	111	100	22	640.0	935.0
125	15	48	129	119	22	750.0	1070.0
150	15	49	161	149	22	1000.0	1735.0
200	18	49	216.5	201.5	22	1500.0	2260.0
250	18	52	263	250	22	1800.0	2620.0

NS	A	B	ØC	ØD	E	Weight in gram (With Box)	Weight in gram (With Glycerin & Box)
100	12.5	47	111	100	22	640.0	935.0



Notes : • Drawings are not to scale. • All Dimensions are in mm .• NS = Nominal size
 • Weights mentioned are approximate and for standard product. Weight can be different after selection of options.

Note: Drawings are not to scale. All Dimensions are in mm.

Type of mounting:

1. Wall/surface/projection mounting with bottom entry
2. Direct bottom entry
3. Direct lower back entry
4. Direct centre back entry
5. Lower back entry with front flange
6. 2" pipe/yoke mounting with bottom entry*
7. Lower back entry with mounting bracket

* moc of bracket will be steel (painted). Ask factory for drawings, if required.

Gauge connection: (all male)

1/4" bsp	3/8" npt	1/2" bspt
3/8" bsp	1/2" npt	M20 x 1.5
1/2" bsp	1/4" bspt	
1/4" npt	3/8" bspt	

Options:

Various options are available:

- Accuracy of 0.5%
- Monel bourdon & socket (monel version)
- Integral dampening screw (monel)
- Silicone oil filled
- Glycerine filled
- Enclosure protection IP 66
- Enclosure protection IP 67
- Sheet glass
- Safety glass
- Toughened glass
- Movement with dampening jelly
- Knife edge pointer
- Maximum reading pointer with plexiglass
- CE marking (as per PED 97/23/EC)
- Material test certificates
- External zero adjustment
- SS tag plate
- Dial tag marking
- Helium leak test
- Conformity as per NACE standard
- Five point calibration certificate
- Calibration certificate traceable to national standards
- Oxygen service
- Custom designed dial
- Integral dampening screw (AISI 316 SS)
- Internal over pressure stop
- Internal vacuum stop
- Receiver range
- Freon range (with temperature scale)
- Ammonia range (with temperature scale)
- AISI 316 SS case & bezel
- AISI 316 SS movement
- Epoxy painted case & bezel
- Electro polished case & bezel
- Case with rolling type bezel
- Over range protection 150% of F.S.
- 2" pipe/yoke mounting bracket & 'u' clamp (AISI 304 SS)
- 2" pipe/yoke mounting bracket & 'u' clamp (AISI 316 SS)
- Short over pressure
- IBR approval
- Anti-parallax mirror band dial
- Available in 100mm, 125mm, 200mm and 250mm dial sizes
- Rear thread entry

Full details available on request.

EVO Instrumentation reserves all rights to make modifications to the product.

EVO Instrumentation Ltd, 31a Coppice Trading Estate,
Off Stourport Road, Kidderminster, Worcs, DY11 7QY,
Tel: 01562 741212 Fax: 01562 741666
Email: sales@evoinstrumentation.co.uk
Web: www.evoinstrumentation.co.uk
Reg no: I916635 England

