

Diaphragm Heavy Duty Mini Seal

MINIEVO



Diaphragm Heavy Duty Mini Seal

Applications:

Diaphragm seals are designed to isolate the sensing element of pressure gauges and pressure switches from process fluids that may be corrosive, viscous, contain sediment and/or with high temperatures. The diaphragm is welded to the body of the seal to ensure separation of the filling fluid from the process medium.

Special features (Standard Version)

- All AISI 316 SS construction
- Light weight
- Economical
- Ideal choice for high pressure
- Diaphragm is welded to the body to ensure separation of the filling fluid from the process medium
- Thread Connections can be used on dial sizes 63mm, 100mm and 150mm
- Vacuum Span available for use with 100mm pressure instrument

Specifications (Standard Version):

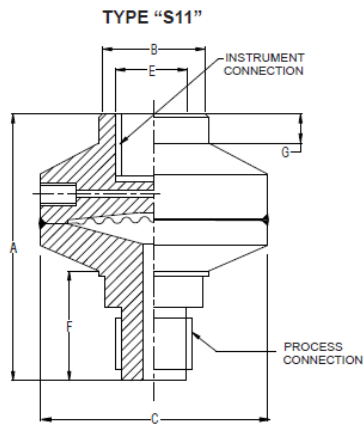
Seal Range	6kg/cm ² to 70kg/cm ²
Process Temperature	-40°C to 200°C as per fill fluid
Instrument Connection	1/2" bsp (F)
Process Connection	1/2" bsp (M)
Fill Fluid	Silicone Oil – DC 200
Mounting	Direct (without capillary)
Diaphragm	AISI 316L SS
Body	AISI 316 SS

Instrument Connection: (all female)

1/4" bsp
1/4" npt
3/8" bsp
1/2" npt

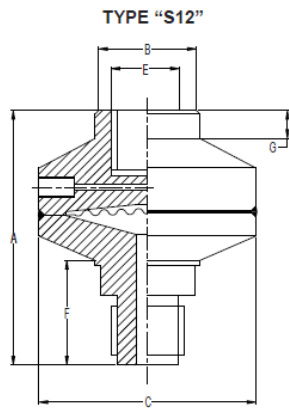
Process Connection:

1/4" bsp (F)	1/2" npt (F)	3/8" bsp (M)
3/8" bsp (F)	1/4" npt (M)	
1/2" bsp (F)	1/2" npt (M)	
1/4" npt (F)	1/4" bsp (M)	



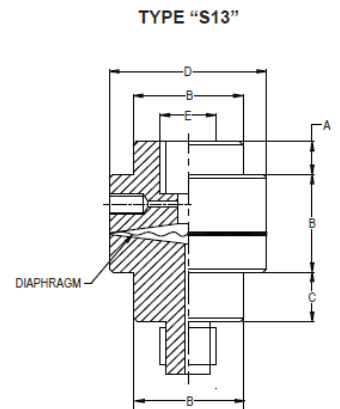
A	B	C	E	F	G	Approx. Wt.#
73	30	62	1/2" BSP(F)	30	8	700.0

(# Weight in grams with box for Standard Model.)



A	B	C	E	F	G	Approx. Wt.#
68.5	30	53	1/2" BSP(F)	35	8	600.0

(# Weight in grams with box for Standard Model.)



A	B	C	D	E	Approx. Wt.#
10	22	15	46.5	1/2" BSP(F)	400.0

(# Weight in grams with box for Standard Model.)

Note: Drawings are not to scale. All Dimensions are in mm.

Options:

Various options are available:

- Seal Range:
 - 1kg/cm² to 0 & 0 to 4kg/cm²
 - 100kg/cm² to 400kg/cm²
 - 250kg/cm² to 600kg/cm²
- Top chamber material:
 - AISI 316L SS
 - AISI 304 SS
- Bottom chamber material:
 - AISI 316L SS
 - Hastelloy 'C'
 - Monel
- Filling fluids:
 - Fluorolube 4.2 (-45°C to 175°C)
 - Fluorolube 6.3 (-40°C to 235°C)
 - Fluorolube FS-5 (-20°C to 148°C)
 - Food grade oil (-20°C to 140°C)
 - Silicon Dc 200 (-40°C to 205°C)
 - Silicon Dc 704 (10°C to 337°C)
 - Silicon Dc 710 (7°C to 371°C)
 - Syltherm 800 (-40°C to 315°C)
 - Slytherm XLT (-100°C to 260°C)
 - Halocarbon oil
- Remote Mounting (with capillary of up to a maximum of 2 meters)
- Capillary material:
 - AISI 304 SS
 - AISI 316 SS
- Capillary covered with armour:
 - AISI 304 SS
 - AISI 316 SS
 - PVC (ambient temperature max. 60°C)
- Helium leak test
- Dry seal only without instrument
- Material test certificates

Full details available on request.

EVO Instrumentation reserves all rights to make modifications to the product.

EVO Instrumentation Ltd, 31a Coppice Trading Estate,
Off Stourport Road, Kidderminster, Worcs, DY11 7QY,
Tel: 01562 741212 Fax: 01562 741666
Email: sales@evoinstrumentation.co.uk
Web: www.evoinstrumentation.co.uk
Reg no: I916635 England

